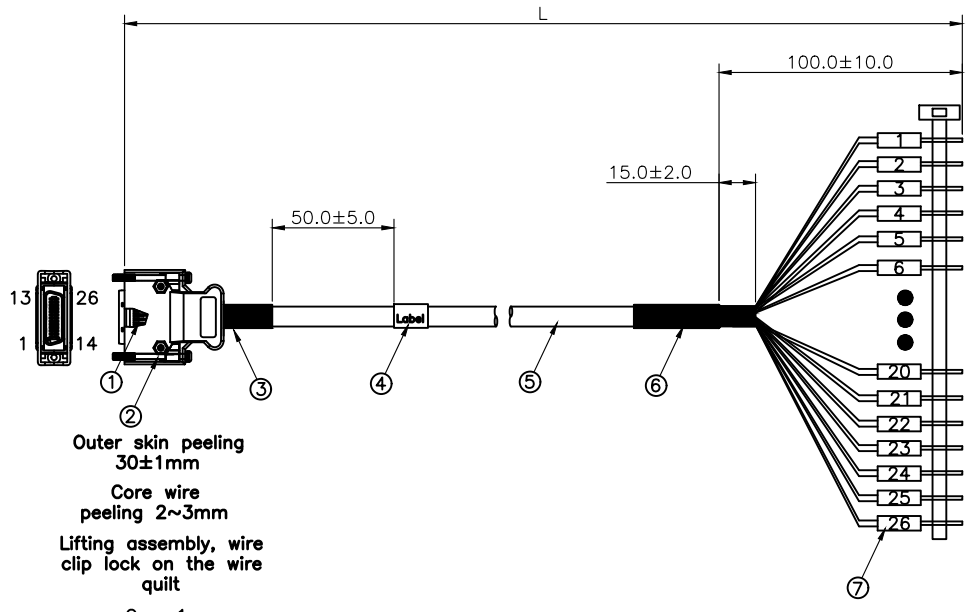


RemKey	Length (L)	Cutting length	Pay-off error
General	L	L+0mm	0~+10mm

### Servo Motion Technologies

REV	ZONE	LTR	DESCRIPTION	DATE	REVISER



Outer skin peeling  
30±1mm  
Core wire  
peeling 2~3mm  
Lifting assembly, wire  
clip lock on the wire  
quilt  
Conn.1

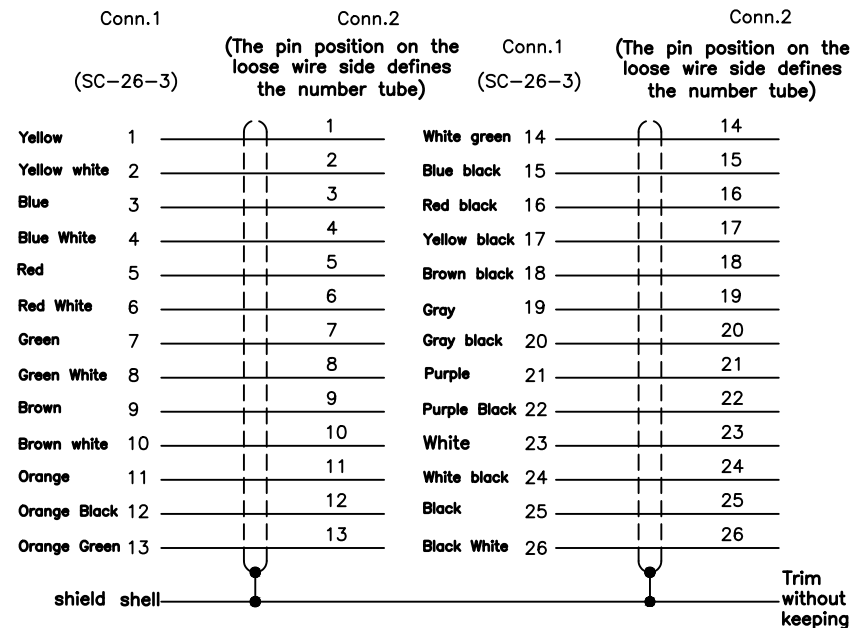
Outer skin peeling  
100±2mm  
No need to  
peel the core  
wire  
Conn.2

Technical description:  
1. The finished product is tested in open circuit, short circuit, misalignment, electrical flicker, etc. conditions(QC Pass);  
2. On-resistance: ≤5Ω;  
3. Withstand voltage: AC 300V/40ms, leakage current: ≤3mA;  
4. Insulation impedance: ≥10MΩ (DC 300V/10ms);  
5. The shield on the connector side is wrapped with copper foil, and the root of the scattered wire end is welded  
24AWG black single-core wire is led out, and all solder joints need to be wrapped with heat shrink tube;

Part  
No: ELDAR-MDR26-2M  
2: 2M

### Wiring Diagram

(Applicable range within 15 meters (inclusive))



### Material Information Sheet:

Serial number	Name	quantity	unit	Part No	Specification Description	Remark
7	Number Management	26	PCS	X-HMGO-0.5	Diameter 2.5MM White 100m/roll	
6	Heat shrink tubing	1	PCS	X-B-RSGH-12.0-50	Black Diameter 12.0mm Length 50mm	
5	Wire	L	M	SC-25A*13P-TP6Y	Black elastic PVC outer jacket, PVC insulation, outer diameter 10.5, 80 degrees, 300V Fixed line	
4	label	1	PCS	W-BQZ-46*76	Material: Flexible PE, Specification: 40mm*70mm, suitable for wire diameters other than 8.0 (not included)	
3	Rubber Band	2	PCS	X-B-RSGH-12.0-30	Black Diameter 12.0mm Length 30mm	
2	Connector	1	PCS	SC-26-3	Black shell 28 cores, boxed, Sanshu logo, gold-plated 5u" front gold back tin	
1	Heat shrink tubing	26	PCS	X-B-RSGH-1.0-10	Black Diameter 1.0mm Length 10mm	

MATERIAL:	TOLERANCE UNSPECIFIED	Servo Motion Technologies Inc.		
FINISH:	.XXX ±0.15	www.servomotiontechnologies.com		
	.XX ±0.20	NAME: CN1 Control Cable		
	.X ±0.25	PART NO: ELDAR-MDR26-2M		
	ANGLE ±0.5°	DRAWING NO: GACX3DJ9		
THIRD ANGLE PROJECTION	ITEM: NAME: DATE:	UNIT: mm SIZE: A3 REV: 00		
	DRAWN: Jack 11/19/19	SCALE: 2:1 SHEET: 1 OF 1		
	DESIGNER: Jack 11/19/19			
	CHECKED: R.M 403/05/01			
	APPROVED: R.M Jul 22,24			