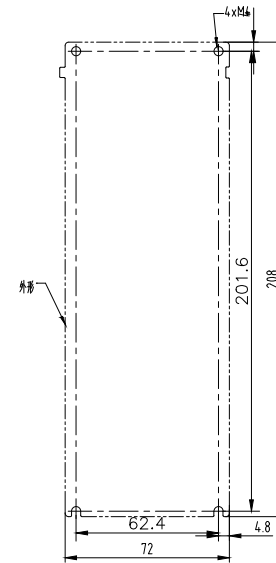
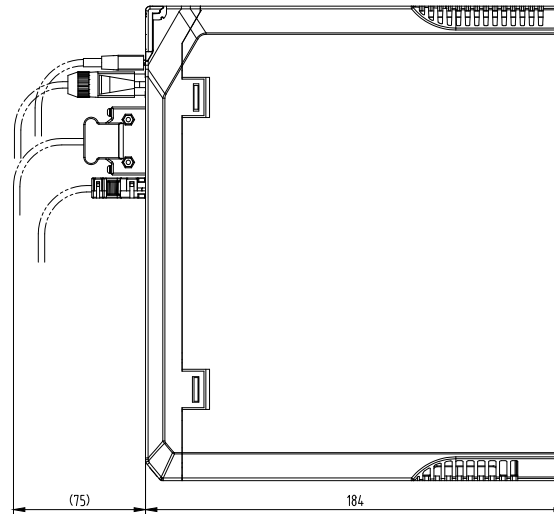
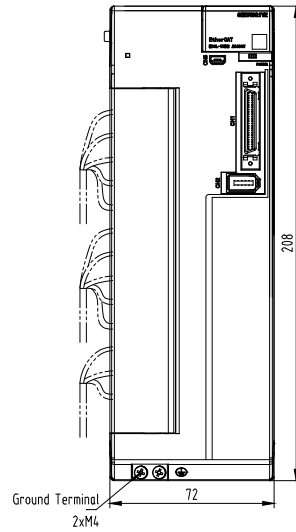
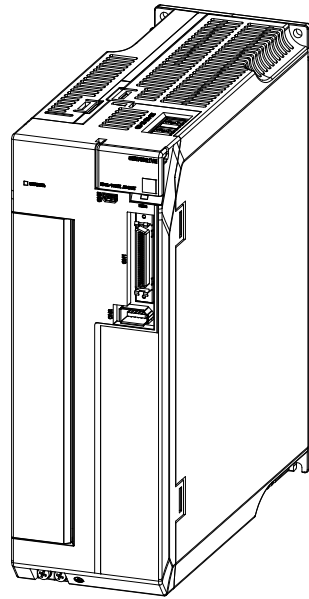


RemKey
General

Servo Motion Technologies

REV	ZONE	LTR	DESCRIPTION	DATE	REVISER



Installation Diagram unit:mm

MATERIAL:	TOLERANCE UNspecified	Servo Motion Technologies Inc.		
FINISH:	.XXX ±0.15	www.servomotiontechnologies.com		
	.XX ±0.20	NAME: Conventional Drives		
	.X ±0.25	PART NO: ED3L-50-75DMA		
	ANGLE ±0.5°	DRAWING NO: Dr140308-01		
 THIRD ANGLE PROJECTION	ITEM:	NAME:	DATE:	UNIT: mm
	DRAWN: Jack	11/19/19		SIZE: A3
	DESIGNER: Jack	11/19/19		REV: 00
	CHECKED: R. M	403/05/01		SCALE: 2:1
	APPROVED: R. M	Jul 22,24		SHEET: 1 OF 1