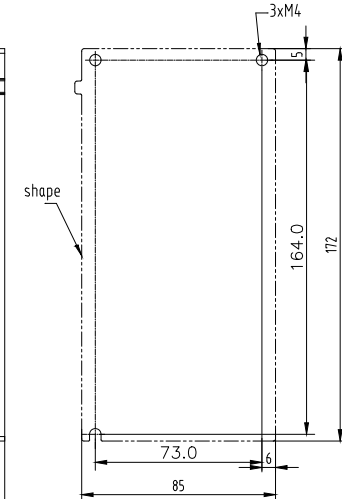
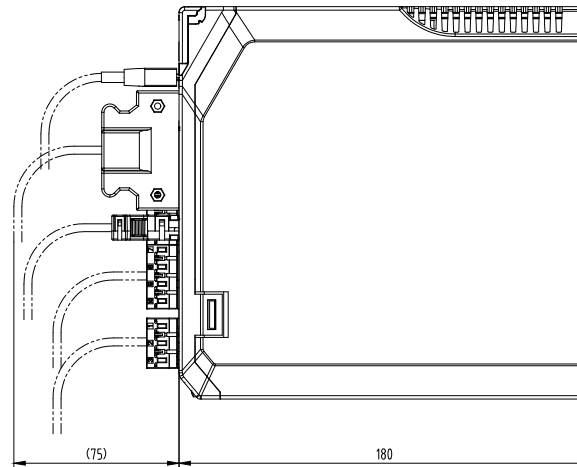
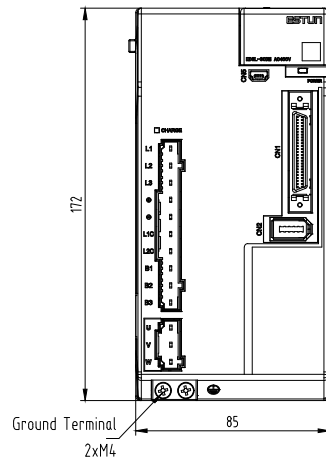
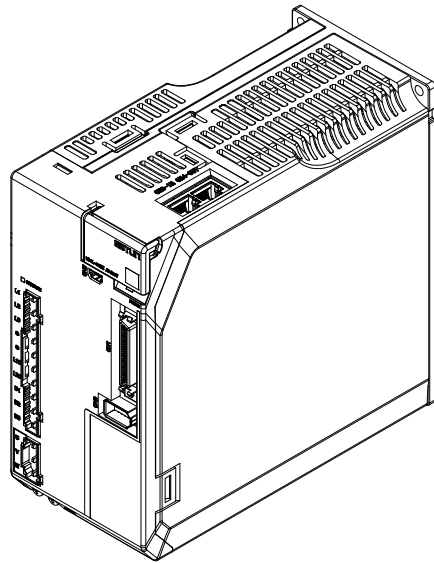


RemKey
General

Servo Motion Technologies

REV	ZONE	LTR	DESCRIPTION	DATE	REVISER



Installation Diagram unit: mm

MATERIAL:	TOLERANCE UNspecified	Servo Motion Technologies Inc.				
FINISH:	.XXX ±0.15	www.servomotiontechnologies.com				
	.XX ±0.20	NAME: Conventional Drives				
	.X ±0.25	PART NO: ED3L-20-30DMA				
	ANGLE ±0.5°	DRAWING NO: Dr140308-01				
 THIRD ANGLE PROJECTION	ITEM:	NAME:	DATE:	UNIT:	SIZE:	REV:
	DRAWN: Jack	Jack	11/19/19	mm	A3	00
	DESIGNER: Jack	Jack	11/19/19	SCALE: 2:1	SHEET: 1 OF 1	
	CHECKED: R. M	R. M	403/05/01			
APPROVED: R. M	R. M	Jul 22,24				