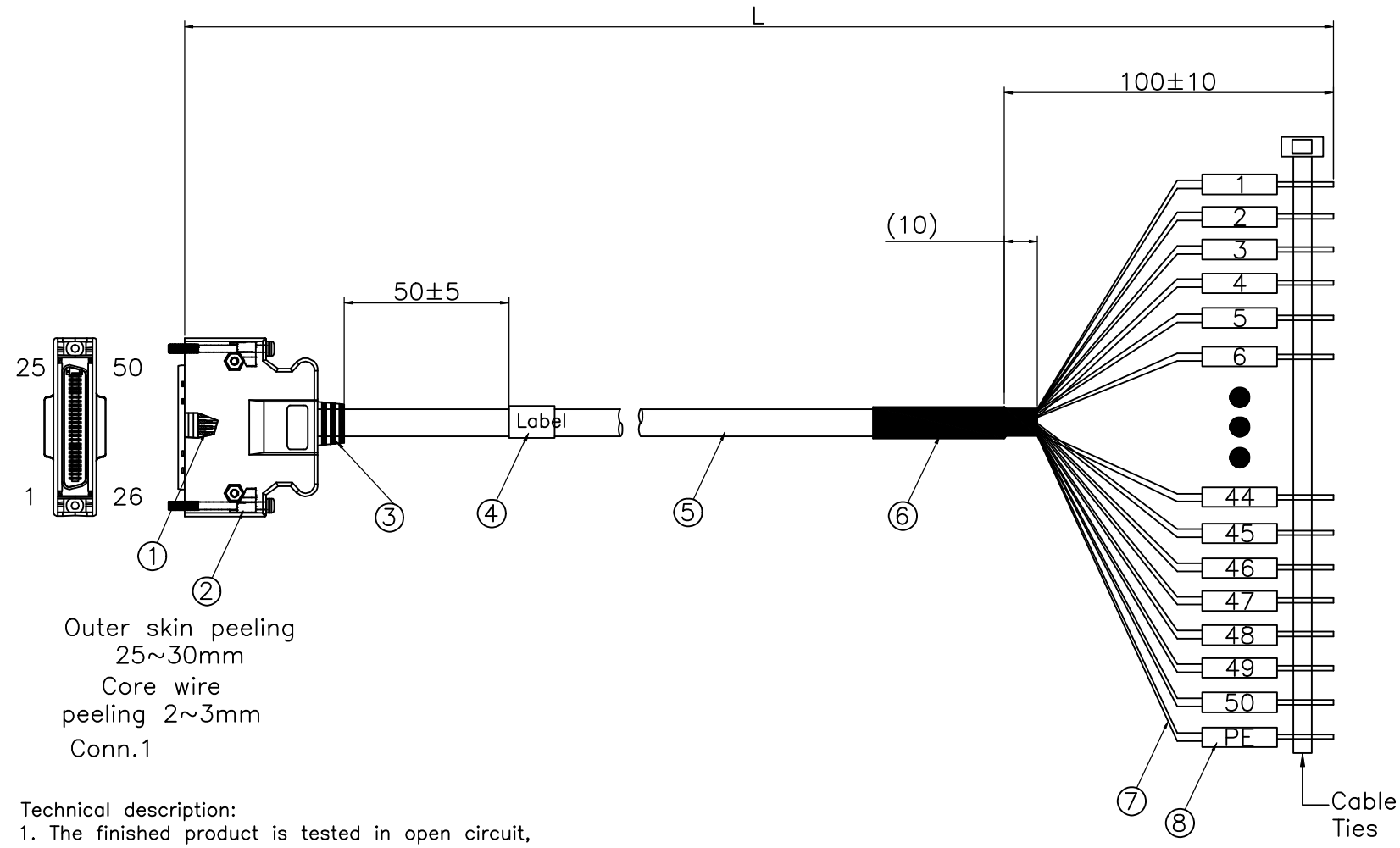


1	2	3	4	5	6	7	8	
RemKey General	Length (L)	Cutting length	Pay-off error					
	L	L+0MM	0~10MM					

Servo Motion Technologies

REV	ZONE	LTR	DESCRIPTION	DATE	REVISER



Outer skin peeling 25~30mm
 Core wire peeling 2~3mm
 Conn.1

Technical description:
 1. The finished product is tested in open circuit, short circuit, misalignment, electrical flicker, etc. conditions(QC Pass);
 2. On-resistance: $\leq 5\Omega$;
 3. Withstand voltage: AC 300V/40ms, leakage current: $\leq 3mA$;
 4. Insulation impedance: $\geq 10M\Omega$ (DC 300V/10ms);
 5. The shield on the connector side is wrapped with copper foil, and the root of the scattered wire end is welded

Part No: APC-CN102A-SC
 L02: 2M

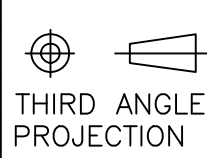
Outer skin peeling 100±2mm
 No need to peel the core wire
 Conn.2

Conn.1 (SC-50-3)		Wiring Diagram	Conn.2 (SC-50-3)	pin assignment on Pig tail	
Orange Black I	1	1	White	26	26
Orange Red I	2	2	Gray Black III	27	27
Yellow Black I	3	3	Gray Red III	28	28
Yellow Red I	4	4	Pink Black III	29	29
White Black I	5	5	Pink Red III	30	30
White Red I	6	6	Orange Black III	31	31
Gray Black I	7	7	Orange Red III	32	32
Gray Red I	8	8	Yellow Black III	33	33
Pink Black I	9	9	Yellow Red III	34	34
Pink Red I	10	10	White Black III	35	35
Orange Black II	11	11	White Red III	36	36
Orange Red II	12	12	Gray Black III	37	37
Yellow Black II	13	13	Gray Red III	38	38
Yellow Red II	14	14	Pink Black III	39	39
White Black II	15	15	Pink Red III	40	40
White Red II	16	16	Orange Black_long	41	41
Gray Black II	17	17	Orange Red_long	42	42
Gray Red II	18	18	Yellow Black_long	43	43
Pink Black II	19	19	Yellow Red_long	44	44
Pink Red II	20	20	White Black_long	45	45
Orange Black III	21	21	White Red_long	46	46
Orange Red III	22	22	Gray Black_long	47	47
Yellow Black III	23	23	Gray Red_long	48	48
Yellow Red III	24	24	Pink Black_long	49	49
White Black III	25	25	Pink Red_long	50	50
shield			PE		

Solder 24AWG black single core wire

Serial number	Name	quantity	unit	Part No	Specification Description	Remark
8	Number Management	51	PCS	X-HMG0-0.5	Diameter 2.5MM White 100m/roll	
7	Single core wire	0.1	M	W-24AWG*1C-BLACK	24AWG black single core wire 80°C 300V UL1007 outer diameter 1.43	Single core wire
6	Heat shrink tubing	1	PCS	X-B-RSGH-10.0-50	Black Diameter 10.8mm Length 50mm	
5	Wire	L	M	SC-28A*25P-TP3	Black PVC outer jacket, PVC insulation, outer diameter 8.0, UL20276, orange, yellow, white, gray, pink/red/black	Fixed line
4	label	1	PCS	W-BQZ-46*76	Material: Flexible PE, Specification: 46mm*76mm, suitable for wire diameters other than 8.0 (not included)	
3	Rubber Band	1	PCS	X-B-XPQ-36-50	TPU material, black rubber ring MDR series 36-core ~ 50-core for maximum outer diameter 9.5	
2	Connector	1	PCS	SC-50-3	Black shell 50 cores, boxed, Sanzhu logo, gold-plated 5u" front gold back tin	
1	Heat shrink tubing	51	PCS	X-B-RSGH-1.0-10	Black Diameter 1.0mm Length 10mm	

MATERIAL: SEE NOTE	TOLERANCE UNSPECIFIED		Servo Motion Technologies Inc. www.servomotiontechnologies.com NAME: CN1 Control Cable PART NO: APC-CN102A-SC DRAWING NO: GALS3051 UNIT: mm SIZE: A3 REV: 00 SCALE: 2:1 SHEET: 1 OF 1		
	.XXX	±0.15			
	.XX	±0.20			
	.X	±0.25			
FINISH:	ANGLE	±0.5°	ITEM:	NAME:	DATE:
			DRAWN:		01/06/22
			DESIGNER:		01/06/22
			CHECKED:	R.M	403/04/30
		APPROVED:	R.M	Jul 20,24	



THIRD ANGLE PROJECTION