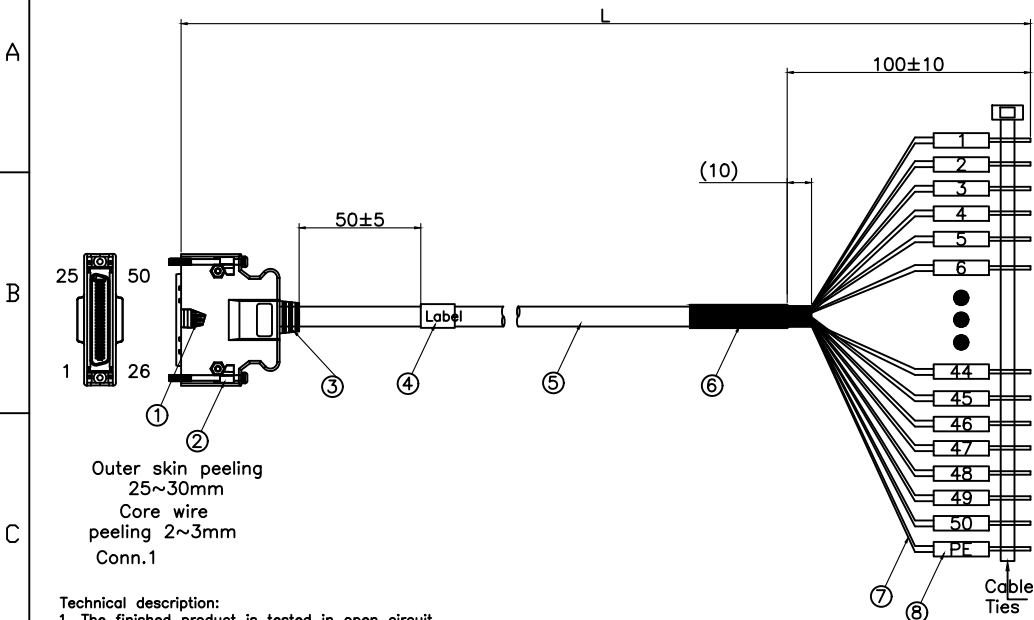


1	2	3	4	5	6	7	8				
RemKey General	Length (L)	Cutting length	Pay-off error	Servo Motion Technologies		REV	ZONE	LTR	DESCRIPTION	DATE	REVISER
	L	L+0MM	0~10MM								



Outer skin peeling 25~30mm
Core wire peeling 2~3mm
Conn.1

Technical description:
1. The finished product is tested in open circuit, short circuit, misalignment, electrical flicker, etc. conditions(QC Pass);
2. On-resistance: $\leq 5\Omega$;
3. Withstand voltage: AC 300V/40ms, leakage current: $\leq 3mA$;
4. Insulation impedance: $\geq 10M\Omega$ (DC 300V/10ms);
5. The shield on the connector side is wrapped with copper foil, and the root of the scattered wire end is welded 24AWG black single-core wire is led out, and all solder joints need to be wrapped with heat shrink tube;

Part No: APC-CN102A-SC
02: 2M

Outer skin peeling 100±2mm
No need to peel the core wire
Conn.2

Conn.1 (SC-50-3)	Wiring Diagram	Conn.2	Conn.1 (SC-50-3)	Conn.2 pin assignment on Pig tail
Orange Black I	1	1	White Red III	26
Orange Red I	2	2	White Black III	27
Orange Black II	3	3	White Red III	28
Orange Red II	4	4	White Black long	29
Orange Black III	5	5	White Red long	30
Orange Red III	6	6	Grey Black I	31
Orange Black III	7	7	Grey Red I	32
Orange Red III	8	8	Grey Black II	33
Orange Black long	9	9	Grey Red II	34
Orange Red long	10	10	Grey Black III	35
Yellow Black I	11	11	Grey Red III	36
Yellow Red I	12	12	Gray Black III	37
Yellow Black II	13	13	Gray Red III	38
Yellow Red II	14	14	Grey Black long	39
Yellow Black III	15	15	Grey Red long	40
Yellow Red III	16	16	Pink Black I	41
Yellow Black III	17	17	Pink Red I	42
Yellow Red III	18	18	Pink Black II	43
Yellow Black long	19	19	Pink Red II	44
Yellow Red long	20	20	Pink Black III	45
White Black I	21	21	Pink Red III	46
White Red I	22	22	Pink Black III	47
White Black II	23	23	Pink Red III	48
White Red II	24	24	Pink Black long	49
White Black III	25	25	Pink Red long	50
			PE	

8	Number	51	PCS	X-HMG0-0.5	Diameter 2.5MM White 100m/roll
7	Management Single core wire	0.1	M	W-24AWG*1C-BLACK	24AWG black single core wire 80 300V UL1007 outer diameter 1.43
6	Heat shrink tubing	1	PCS	X-B-RSGH-10.0-50	Black Diameter 10.8mm Length 50mm
5	Wire	L	M	SC-28A*25P-TP3	Black PVC outer jacket, PVC insulation, outer diameter 8.0, UL20276, orange, yellow, white, gray, pink/red/black
4	label	1	PCS	W-BQZ-46*76	Material: Flexible PE, Specification: 46mm*76mm, suitable for wire diameters other than 8.0 (not included)
3	Rubber Band	1	PCS	X-B-XPQ-36-50	TPU material, black rubber ring MDR series 36-core ~ 50-core for maximum outer diameter 8.0
2	Connector	1	PCS	SC-50-3	Black shell 50 cores, boxed, Sanzhuo logo, gold-plated 5u" front gold back tin
1	Heat shrink tubing	51	PCS	X-B-RSGH-1.0-10	Black Diameter 1.0mm Length 10mm

MATERIAL: SEE NOTE	TOLERANCE UNSPECIFIED	Servo Motion Technologies Inc.	
	.XXX ±0.15	www.servomotiontechnologies.com	
FINISH:	.XX ±0.20	NAME: CN1 Control Cable	
	.X ±0.25	PART NO: APC-CN102A-SC-01	
	ANGLE ±0.5°	DRAWING NO: GALS3051	
THIRD ANGLE PROJECTION	ITEM: DATE: 01/06/22	UNIT: mm	SIZE: A3
	DESIGNER: 01/06/22	REV: 00	
	CHECKED: R.M 403/04/30	SCALE: 2:1	SHEET: 1 OF 1
	APPROVED: R.M Jul 20,24		

Serial number	Name	quantity	unit	Part No	Specification Description	Remark
1						
2						
3						
4						
5						
6						
7						
8						